

# KT Bridge

## ■ ASSEMBLY & OPERATING INSTRUCTIONS:

**IMPORTANT:** Before using your KT Bridge:

- 1** Read and clearly understand the contents of this manual
- 2** Understand how to Install and use KT Bridge

**Have Questions? Need Help?**

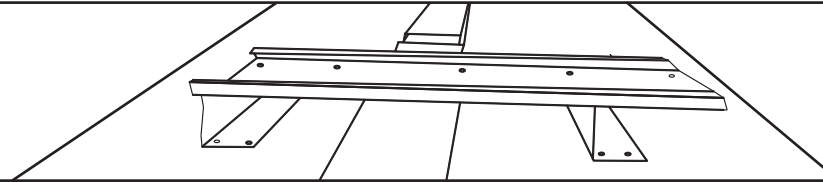
Our A+ customer support team is here to help:

**EMAIL:** hello@UncagedErgonomics.com

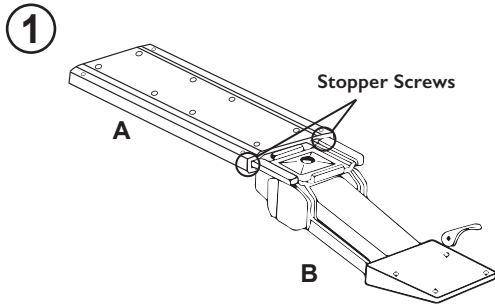
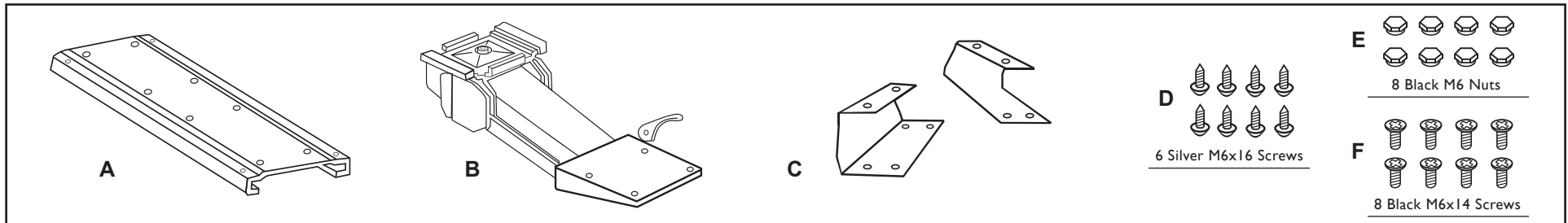
**PHONE:** 240-583-0517

### What KT Bridge does:

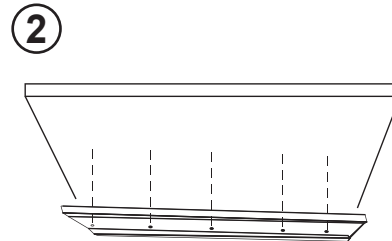
- Mounts under your desk
- Drops the RAIL for KT1,2 ~1.75" below your desk
- Provides clearance to mount KT1,2 over crossbars



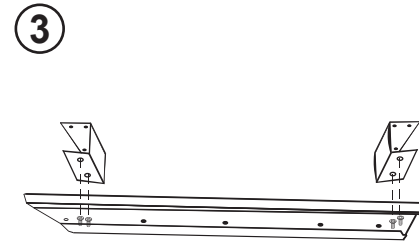
### How to install KT BRIDGE:



- 1** Remove the **ARM (B)** from the **Rail (A)**.  
A. Remove two **Stopper Screws** from the front edge of the **Rail (A)**.  
B. Slide the **ARM (B)** off of the **Rail (A)**.  
C. Re-install the two **Stopper Screws** after installation is complete.



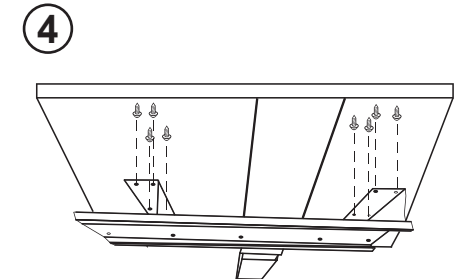
- 2** Hold the **Rail** up to your desk and approximate where to connect **KT Bridge**.



- 3** Connect the smaller end of **KT Bridge** to the flat side of the **Rail**.

- Use 2 black screws (**F**) & nuts (**E**) for each section of **KT Bridge**.

- Insert the screw from the bottom of the rail into **KT Bridge** and secure the nut on top.



- 4** Connect the larger side of **KT Bridge** to the bottom of your desk.  
First, hold the connected **KT Bridge** and Rail up to your desk to be sure it will fit correctly.

Mark the hole position on your desk. Drilling a guide hole can help.

Use 4 silver screws (**D**) for each section of **KT Bridge**.